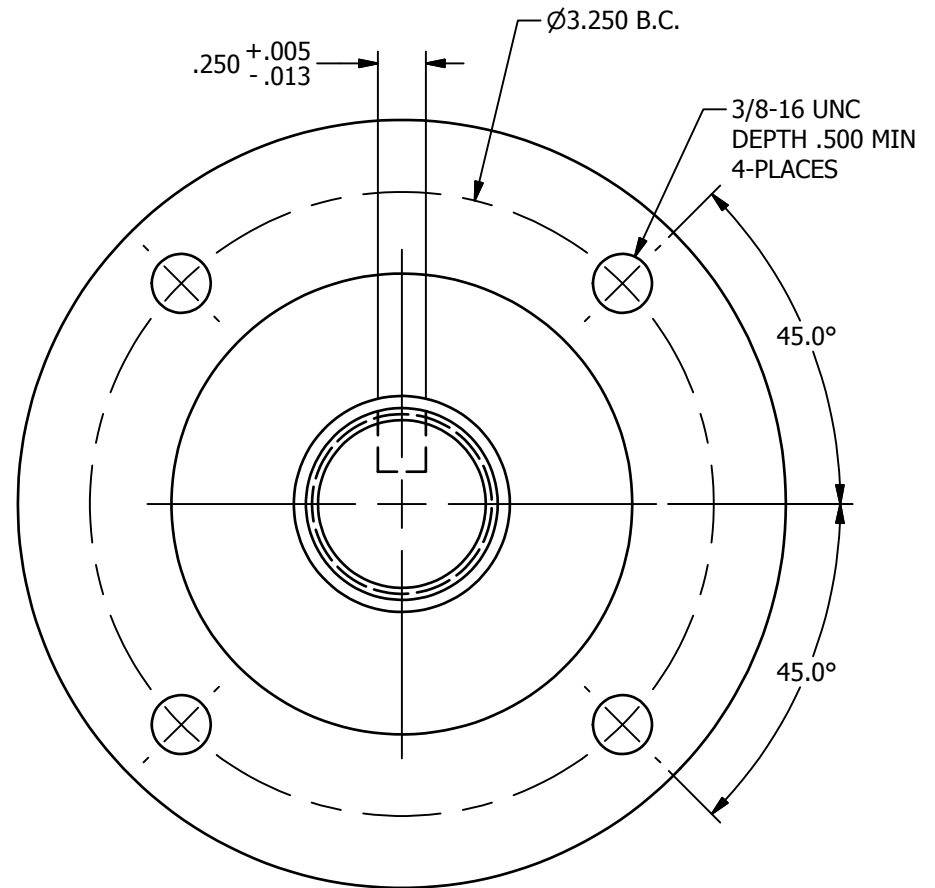
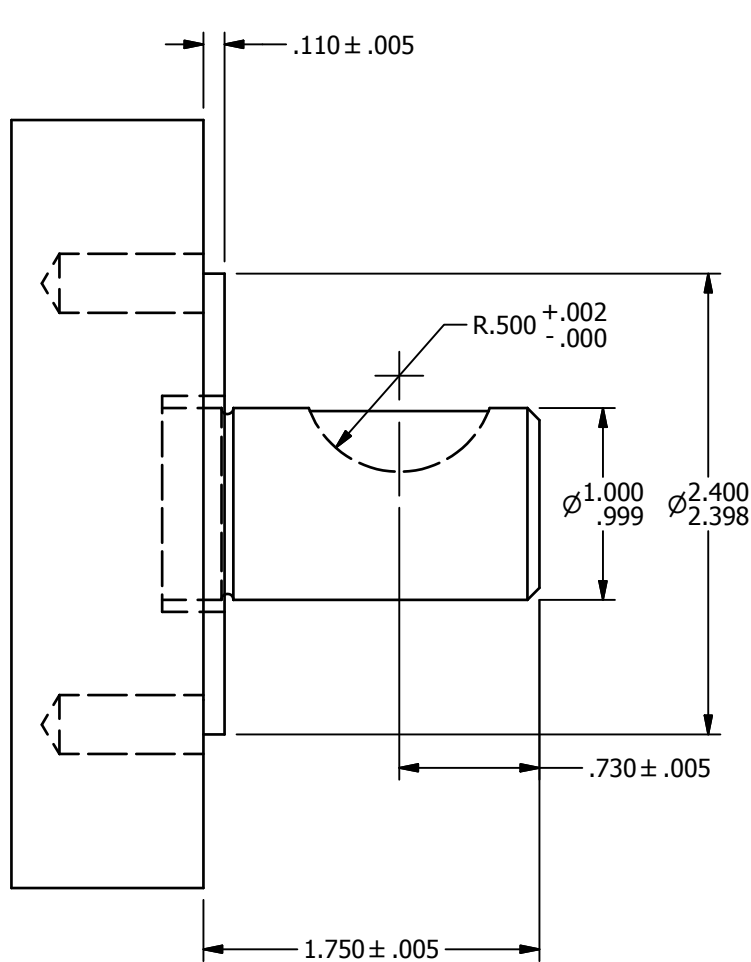


2

1



NOTES:

- 1) A 1/4" STRAIGHT KEY CAN BE USED IN PLACE OF A 808 WOODRUFF KEY.
- 2) WHEN ASSEMBLING TO SPINDLE SLEEVE, LEAVE 3/32 SPACING BETWEEN REAR OF SPINDLE SLEEVE AND MOTOR ADAPTOR.



AAA PRODUCTS INTERNATIONAL
 7114 Harry Hines Blvd
 Dallas, TX 75235

TITLE: **DRIVE INTERFACE, JIFFY DRILL & TAP**

DRAWING NO.: **Drive Interface**

2

4

1